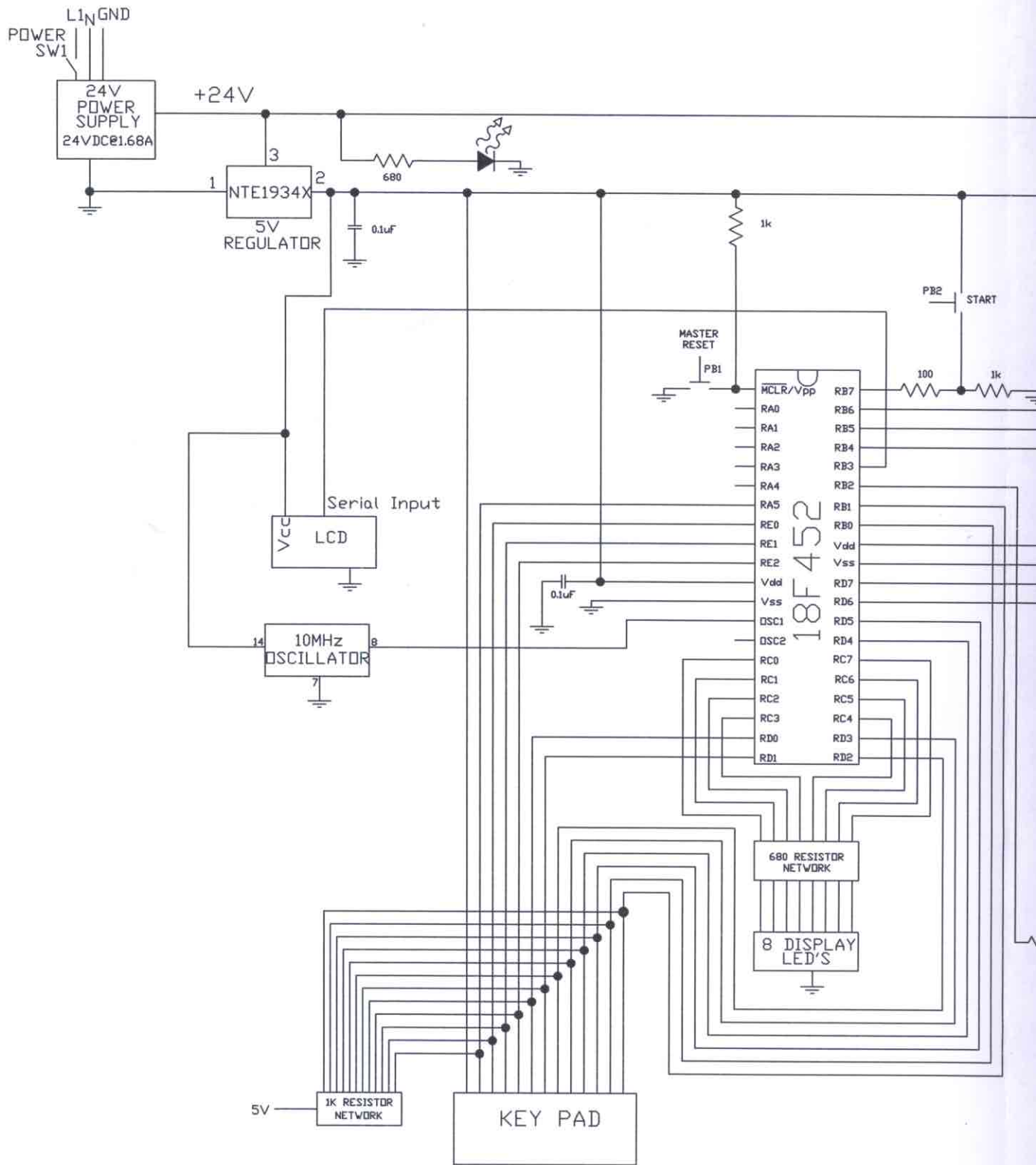
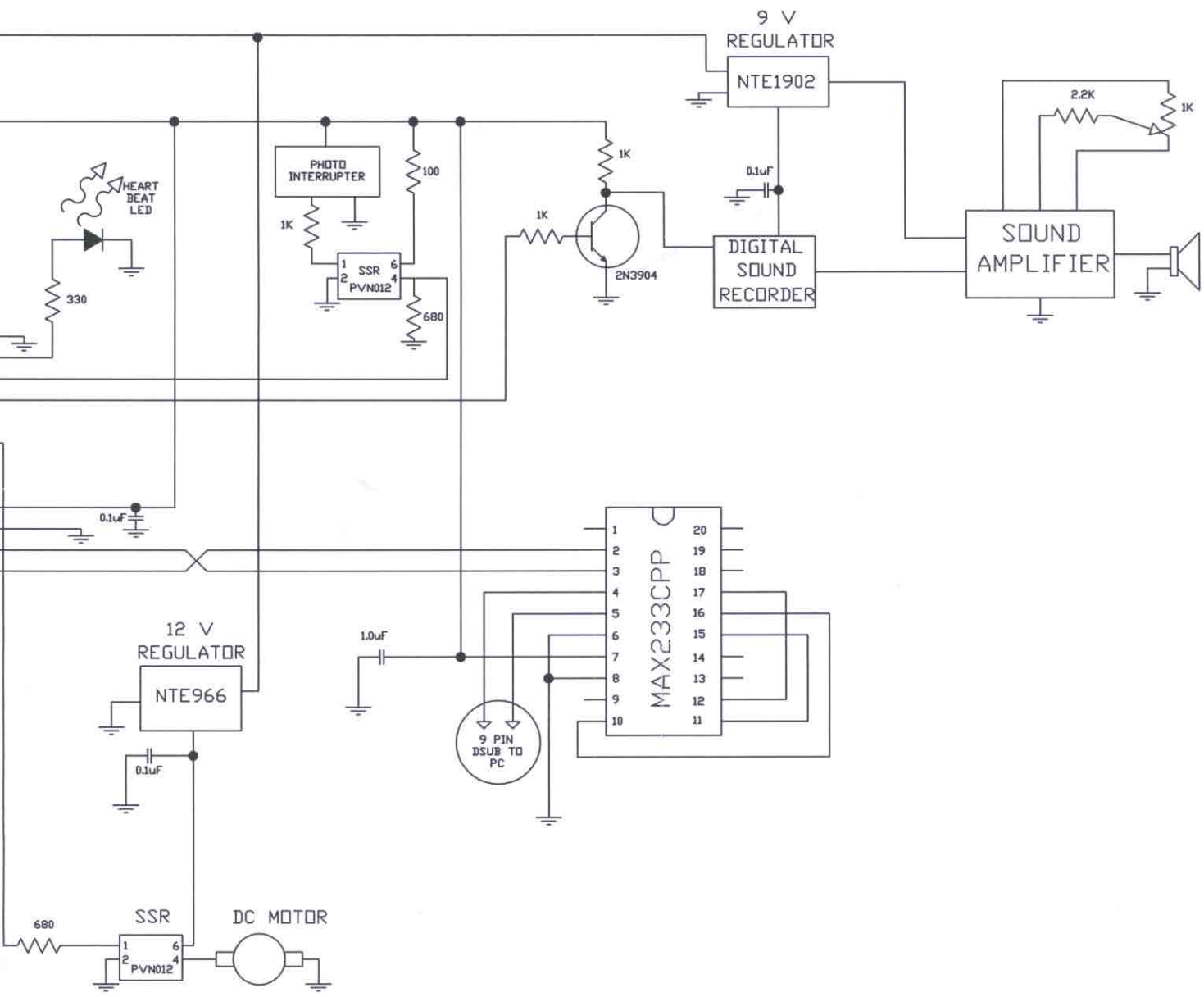


FIGURE 13 - COMPLETE WIRING DIAGRAM

Electrical Schematics





HEART BEAT LED

PHOTO INTERRUPTER

9 V REGULATOR

NTE1902

2N3904

DIGITAL SOUND RECORDER

SOUND AMPLIFIER

12 V REGULATOR

NTE966

MAX233CPCP

9 PIN D SUB TO PC

12 V REGULATOR

DC MOTOR

SSR

PVN012

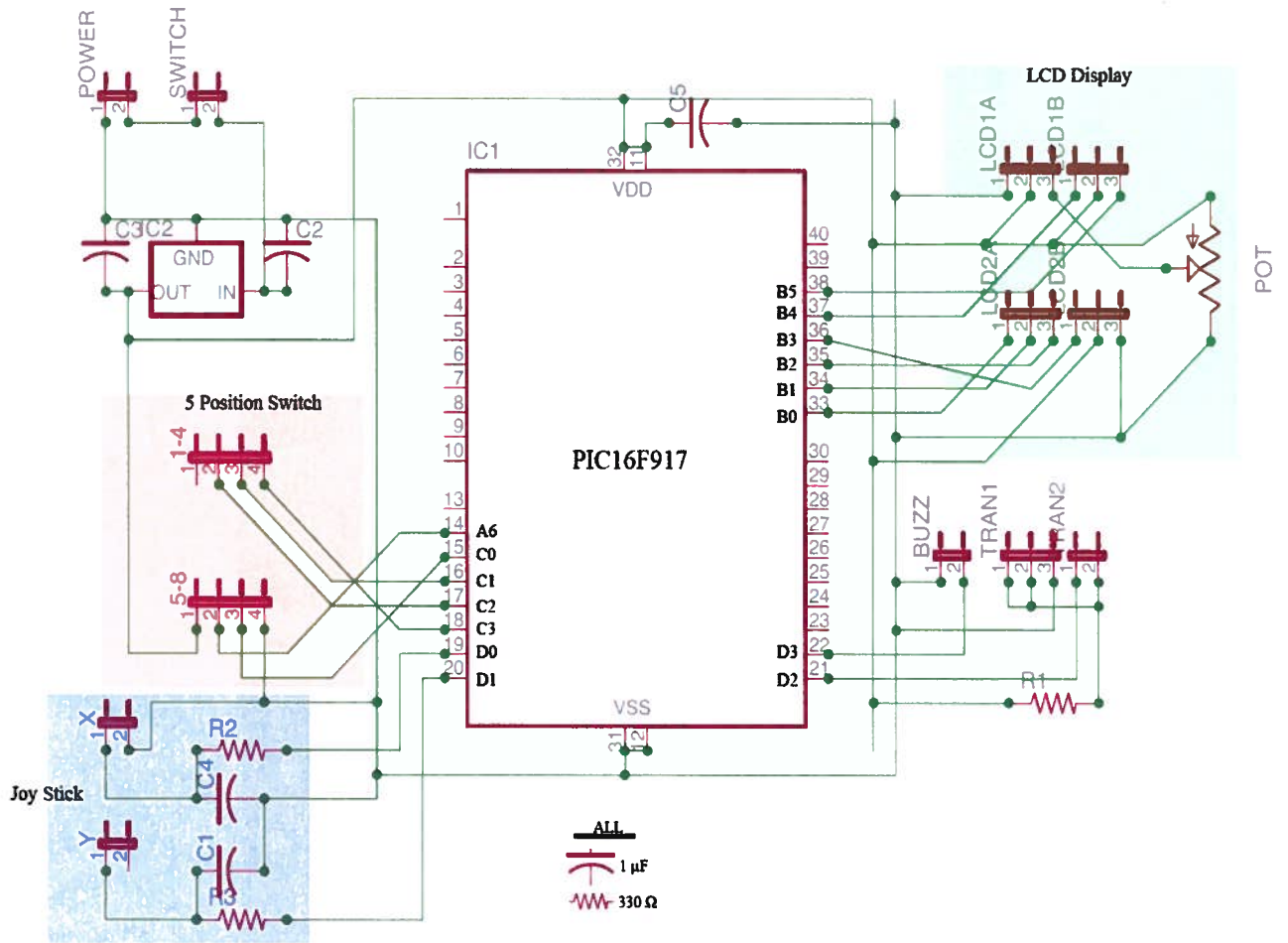


Figure 5 – Wiring Diagram for Contoller