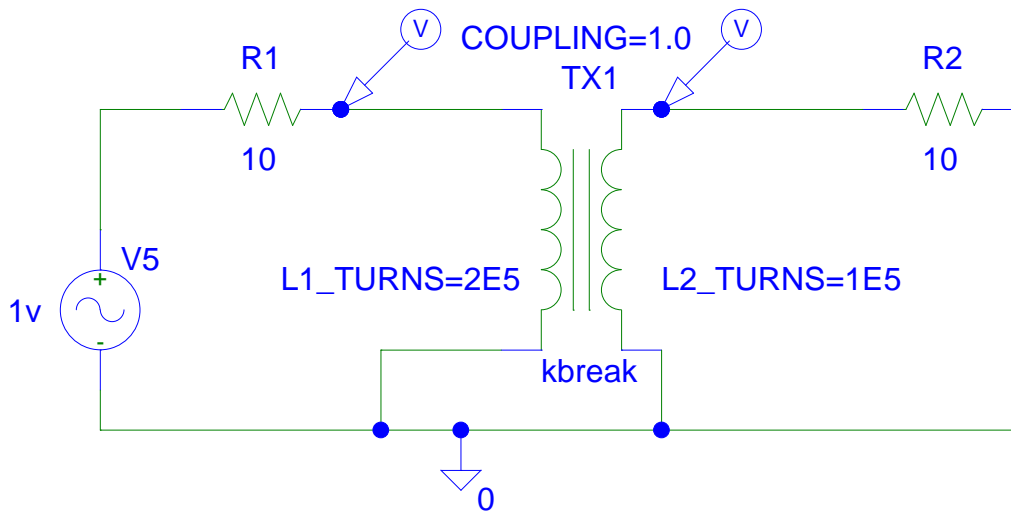


file = ideal_transformer



To make an ideal transformer in PSpice:

1. use XFRM_NONLINEAR part with

Coupling = 1.0

L1_TURNS= N1*1E5

L2_TURNS= N2*1E5

(example above has N1=2 and N2=1)

2. dot convention is dots at top connections with symbol in up right position (above).